

MODEL: MTL 700M

Magnetic Tape Laying Machine roll to roll film



Partnerships in card solutions

Range of application

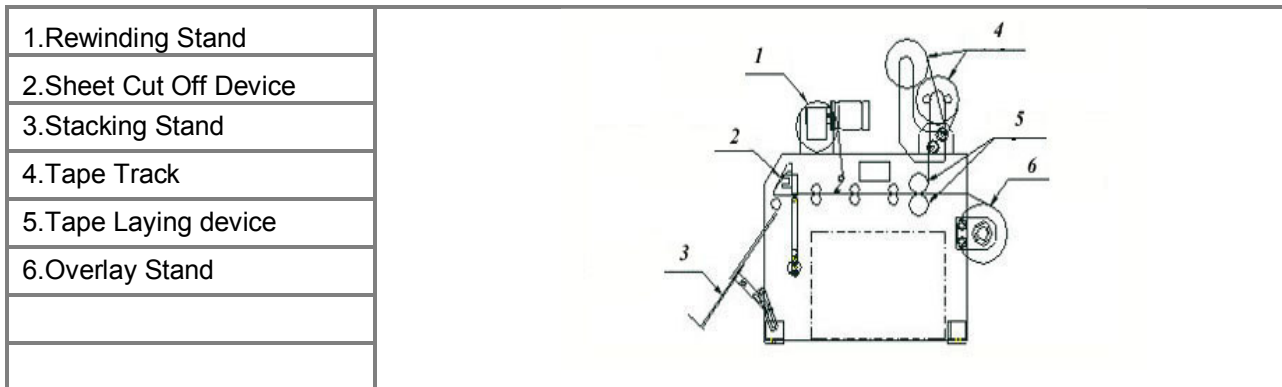
The machine automatically lays roll-type magnetic tape onto roll-type overlay materials, cutting off to required sheet length on the stacking stand. Both heat and pressure are used to ensure firm attachment of the tape. The rewinding stand rewind the supporting foil after the laying process. Standard 8 tracks of tape, with an optional track increase of up to 12, can be applied simultaneously. A fine-adjustment track-positioning device ensures accurate laying position and parallelism.

Advantages

- Suitable for overlay material ranging 0.04~0.2mm in thickness
- Independent temperature control of upper and lower rollers to ensure perfect laying result
- Operation speed can be adjusted according to the specification of the overlay material, up to a maximum speed of 5000mm/min. (A yield of 30,000 cards per hour running with 12 tape tracks)
- Use a roll-to-sheet processing system with sheet lengths adjustable from 250 to 900mm. The servo-motor driving mechanism has a sheeting accuracy of ± 0.2 mm.
- A 700mm width overlay is suitable for a 12 card side by side placement.
- Error code diagnostic display provides for easy trouble shooting.

Specifications

MODEL: MTL-700M			
Overlay width	250-700 mm	Electric power supply	7.5kw
Overlay thickness	0.04~0.2mm	Compressed air	6bar
Sheet length	250~900mm	Motor	1HP
Magnetic tape width	12.7 mm or 6.5 mm	Dimension	1900(L) × 1700(W) × 1720 (L)mm × mm × mm
Operation speed	1000~5000mm/min	Net weight	2000kg



VICCARD PTE LTD
 1020 Tai Seng Avenue #03-3500,
 Singapore 534416
 Tel: (65) 6288 1801
 Fax: (65) 6288 1802
 Email: viccard@singnet.com.sg

VICCARD (M) SDN BHD
 Unit A-3-11, 8 Avenue, Jalan 8/1, Seksyen 8
 46050 Petaling Jaya, Selangor, Malaysia
 Tel: (603) 7960 7932 / 7954 7932
 Fax: (603) 7960 0932
 Email: viccard@po.jaring.my

www.viccard.com.sg